



# PHOENIX GAS RANGE

HANDCRAFTED  
IN DEVON

**WOODWARM**  
STOVES



# PHOENIX 3 GAS STOVE

The Phoenix Gas Range brings you controllable heat at the touch of a button, with all the authentic look and feel of a real fire.

The stylish Phoenix 3, the smallest stove in the range suits even the smallest of rooms. However, it still packs a punch, giving you up to 4kW.

- Remote controlled as standard
- Large glass feature door
- Thermostatically controlled as standard
- Natural flames in Log or coal effect
- Option of Natural Gas or LPG
- Option of Conventional or Balanced flue. See page 11 for details
- Option of Interchangeable top or rear flue exit
- Log Store Style base also available (Height 755mm)

*Option of unique fan assisted convection system that drives more heat into the heart of the room.  
(240V Electricity supply needed)*



Stove Burner



Stove Body

INSTANT CONTROL  
AT THE TOUCH  
OF A BUTTON

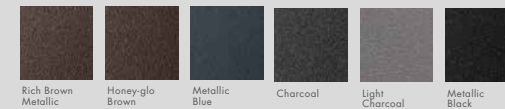


FAN MODELS	NOMINAL EFFICIENCY	NOMINAL OUTPUT	ENERGY RATING
Natural Gas Conventional Flue	90%	4kW	A
Natural Gas Balanced Flue	90%	4kW	A
LPG Conventional Flue	89%	3.5kW	A
LPG Balanced Flue	89%	3.5kW	A

NON FAN MODELS	NOMINAL EFFICIENCY	NOMINAL OUTPUT	ENERGY RATING
Natural Gas Conventional Flue	82%	3.7kW	B
Natural Gas Balanced Flue	82%	3.7kW	B
LPG Conventional Flue	82%	3.3kW	B
LPG Balanced Flue	81%	3.2kW	C

See dimensions on page 8

Available in a range of StoveBright® colours.  
(Approximate colour representation only. Ask your dealer for details.)





# PHOENIX 5 GAS STOVE

Like all our gas stoves the Phoenix 5 is handcrafted in Devon to the highest possible standard. With its natural flames and instant control, the Phoenix 5 stove features a large glass door that gives you the best view of the natural flames and provides a stunning focal point to any room.

- Remote controlled as standard
- Large glass feature door
- Thermostatically controlled as standard
- Natural flames in Log or coal effect
- Option of Natural Gas or LPG
- Option of Conventional or Balanced flue. See page 11 for details
- Option of Interchangeable top or rear flue exit
- Log Store Style base also available (Height 837mm)

*Option of unique fan assisted convection system that drives more heat into the heart of the room.  
(240V Electricity supply needed)*



Stove Burner



Stove Body

INSTANT CONTROL  
AT THE TOUCH  
OF A BUTTON

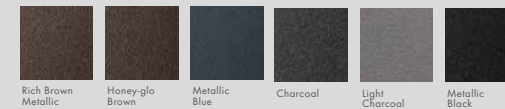


FAN MODELS	NOMINAL EFFICIENCY	NOMINAL OUTPUT	ENERGY RATING
Natural Gas Conventional Flue	88%	5.5kW	A
Natural Gas Balanced Flue	91%	6.1kW	A
LPG Conventional Flue	88%	5.5kW	A
LPG Balanced Flue	90%	5.7kW	A

NON FAN MODELS	NOMINAL EFFICIENCY	NOMINAL OUTPUT	ENERGY RATING
Natural Gas Conventional Flue	82.3%	5kW	B
Natural Gas Balanced Flue	82%	5.6kW	B
LPG Conventional Flue	82.6%	5kW	B
LPG Balanced Flue	82%	5.2kW	B

See dimensions on page 9

Available in a range of StoveBright® colours.  
(Approximate colour representation only. Ask your dealer for details.)





# PHOENIX 7 GAS STOVE

The Phoenix 7 is ideal for larger living spaces. Its large glass door giving a magnificent view of the flames. Using the thermostat on the remote control, simply set your ideal room temperature and sit back and relax.

Exceptional dual burner controllability has optimised a realistic flame effect and created a true class leader.

- Remote controlled as standard
- Large glass feature door
- Thermostatically controlled as standard
- Natural flames in Log or coal effect
- Option of Natural Gas or LPG
- Option of Conventional or Balanced flue. See page 11 for details
- Option of Interchangeable top or rear flue exit
- Log Store Style base also available (Height 837mm)

*Option of unique fan assisted convection system that drives more heat into the heart of the room.  
(240V Electricity supply needed)*



Stove Burner



Stove Body

INSTANT CONTROL  
AT THE TOUCH  
OF A BUTTON

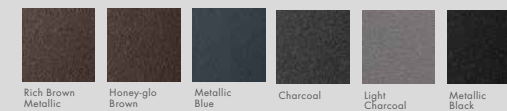


FAN MODELS	NOMINAL EFFICIENCY	NOMINAL OUTPUT	ENERGY RATING
Natural Gas Balanced Flue	91%	7.8kW	A
LPG Balanced Flue	90%	8.5kW	A

NON FAN MODELS	NOMINAL EFFICIENCY	NOMINAL OUTPUT	ENERGY RATING
Natural Gas Balanced Flue	81%	7.2kW	C
LPG Balanced Flue	81%	7.8kW	C

See dimensions on page 10

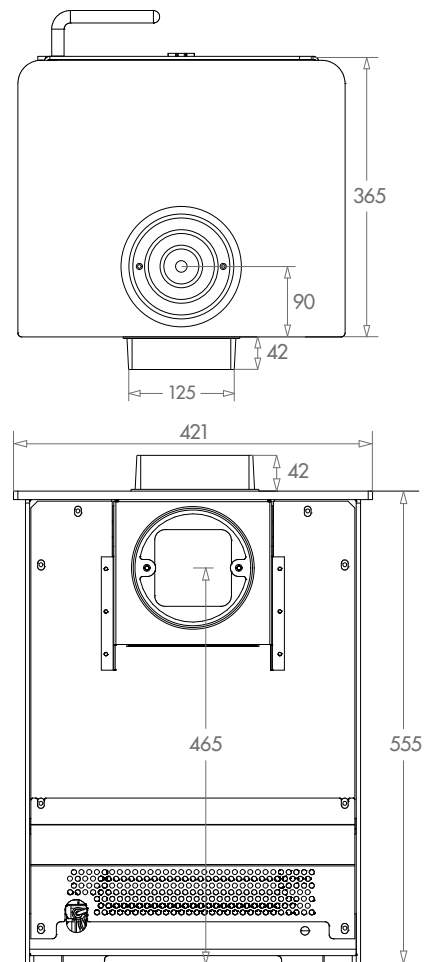
Available in a range of StoveBright® colours.  
(Approximate colour representation only. Ask your dealer for details.)



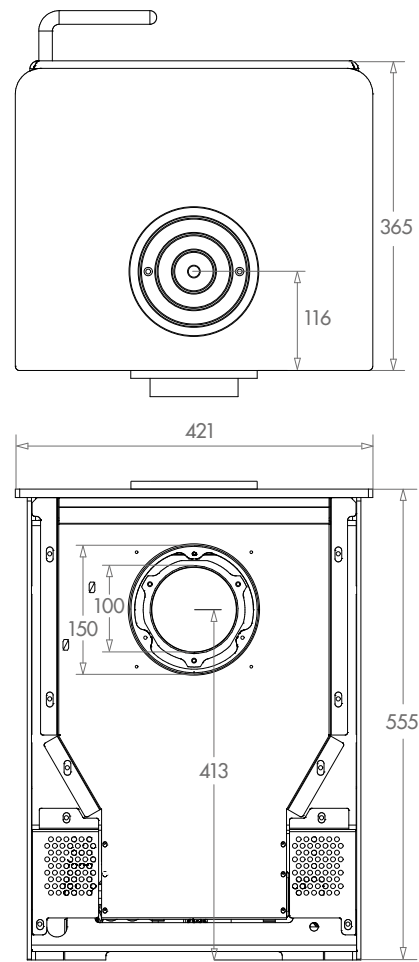


# PHOENIX 3 DIMENSIONS

## CONVENTIONAL FLUE



## BALANCED FLUE



### DISTANCE FROM COMBUSTIBLES:

280mm on all sides

Suitable for a 12mm superimposed hearth. The clearance between the stove and any non-combustible surface is not recommended to be less than 50mm from the side.

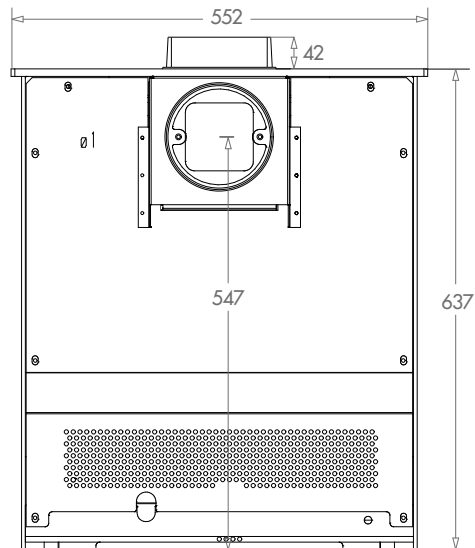
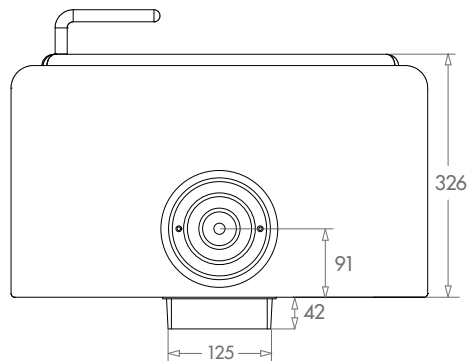
### DIMENSIONS NOTE:

For Log Store Style add 200mm to all vertical dimensions.

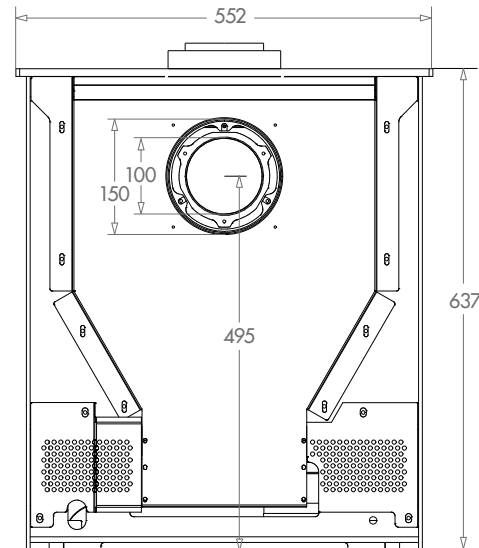
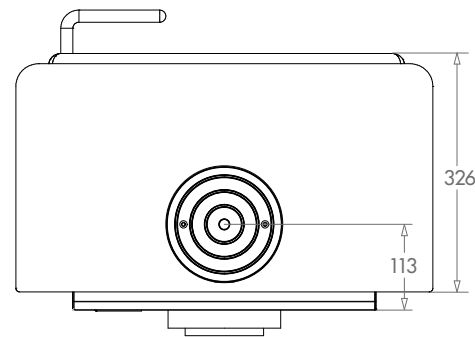


# PHOENIX 5 DIMENSIONS

## CONVENTIONAL FLUE



## BALANCED FLUE



### DISTANCE FROM COMBUSTIBLES:

300mm on all sides

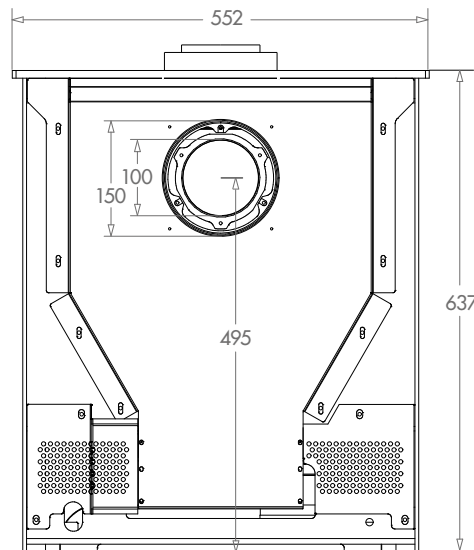
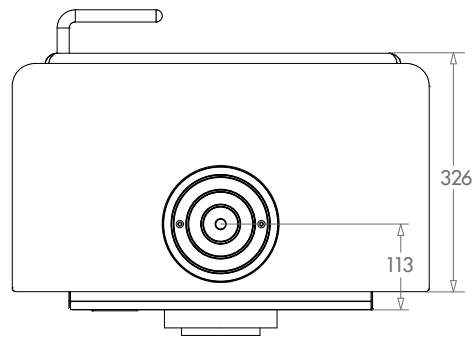
Suitable for a 12mm superimposed hearth. The clearance between the stove and any non-combustible surface is not recommended to be less than 50mm from the side.

### DIMENSIONS NOTE:

For Log Store Style add 200mm to all vertical dimensions.

# PHOENIX 7 DIMENSIONS

## BALANCED FLUE



### DISTANCE FROM COMBUSTIBLES:

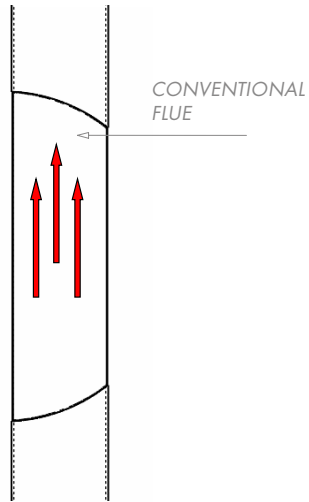
300mm on all sides

Suitable for a 12mm superimposed hearth. The clearance between the stove and any non-combustible surface is not recommended to be less than 50mm from the side.

### DIMENSIONS NOTE:

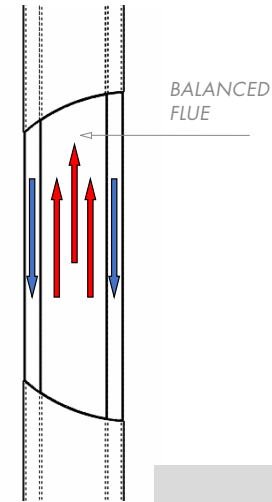
For Log Store Style add 200mm to all vertical dimensions.

# CONVENTIONAL & BALANCED FLUES



## CONVENTIONAL FLUE SYSTEMS

These are used where an existing chimney system exists. The flue comprises of one tube that allows the waste gases to escape directly outside. It takes oxygen from the room it's positioned in. It may be necessary to add a room vent to replace the air used by the appliance.



## BALANCED FLUE SYSTEMS

These are used where there is no existing chimney system, or where an installation is required in a house where ordinarily it wouldn't be possible. A balanced flue contains two tubes, one inside the other. The outer tube lets oxygen in from the outside. The inner tube lets waste gases out. In this situation, the stove doesn't pull oxygen from inside your home.

PLEASE NOTE. There are various flue kits available to make most installations possible. They include rear, horizontal and roof terminations, with and without bends. Plus existing chimney renovation kits.



METAL DEVELOPMENTS LTD. VICTOR HOUSE,  
GREENHAM BUSINESS PARK, WELLINGTON, TA21 0LR.  
T. 01884 35806 E. [sales@woodwarmstoves.co.uk](mailto:sales@woodwarmstoves.co.uk)  
Technical advice: T. 01884 822916 E. [sales@oilwarm.co.uk](mailto:sales@oilwarm.co.uk)  
**[www.woodwarmstoves.co.uk](http://www.woodwarmstoves.co.uk)**

Metal Developments Ltd reserve the right to change their specifications at any time.

