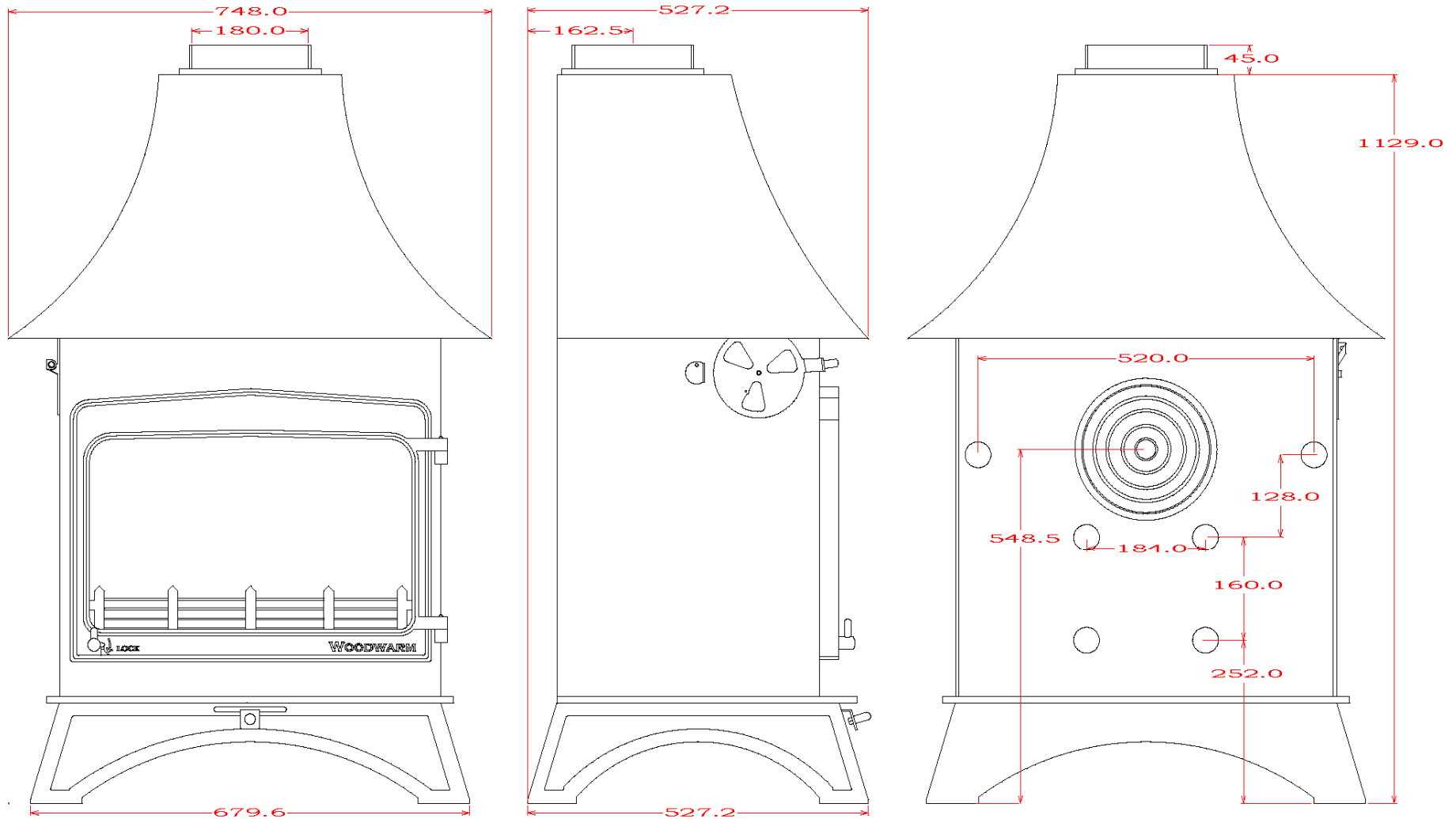


**WOODWARM STOVES**  
 WildWood 12kw-Plus *Woodburner Only*  
 High Curve Canopy



Maximum Log Length:-483mm

Efficiency:-TBC

Boilers in Range:-8,000 btu's (10kw Heat left to room) 20,000btu's (7.2kw Heat left to room) 27,000 btu's (6.5kw Heat left to room) 35,000 btu's (5.8kw Heat left to room)

Max Boiler Available with Roof Boiler:- 45,000 btu's (2.6kw Heat left to room)

## **WOODWARM STOVES**

WildWood 12kw-Plus *Woodburner Only*

High Curve Canopy

Maximum Log Length:-483mm

Efficiency:-TBC

Boilers in Range:-8,000 btu's (10kw Heat left to room) 20,000btu's (7.2kw Heat left to room) 27,000 btu's (6.5kw Heat left to room) 35,000 btu's (5.8kw Heat left to room)

Max Boiler Available with Roof Boiler:- 45,000 btu's (2.6kw Heat left to room)