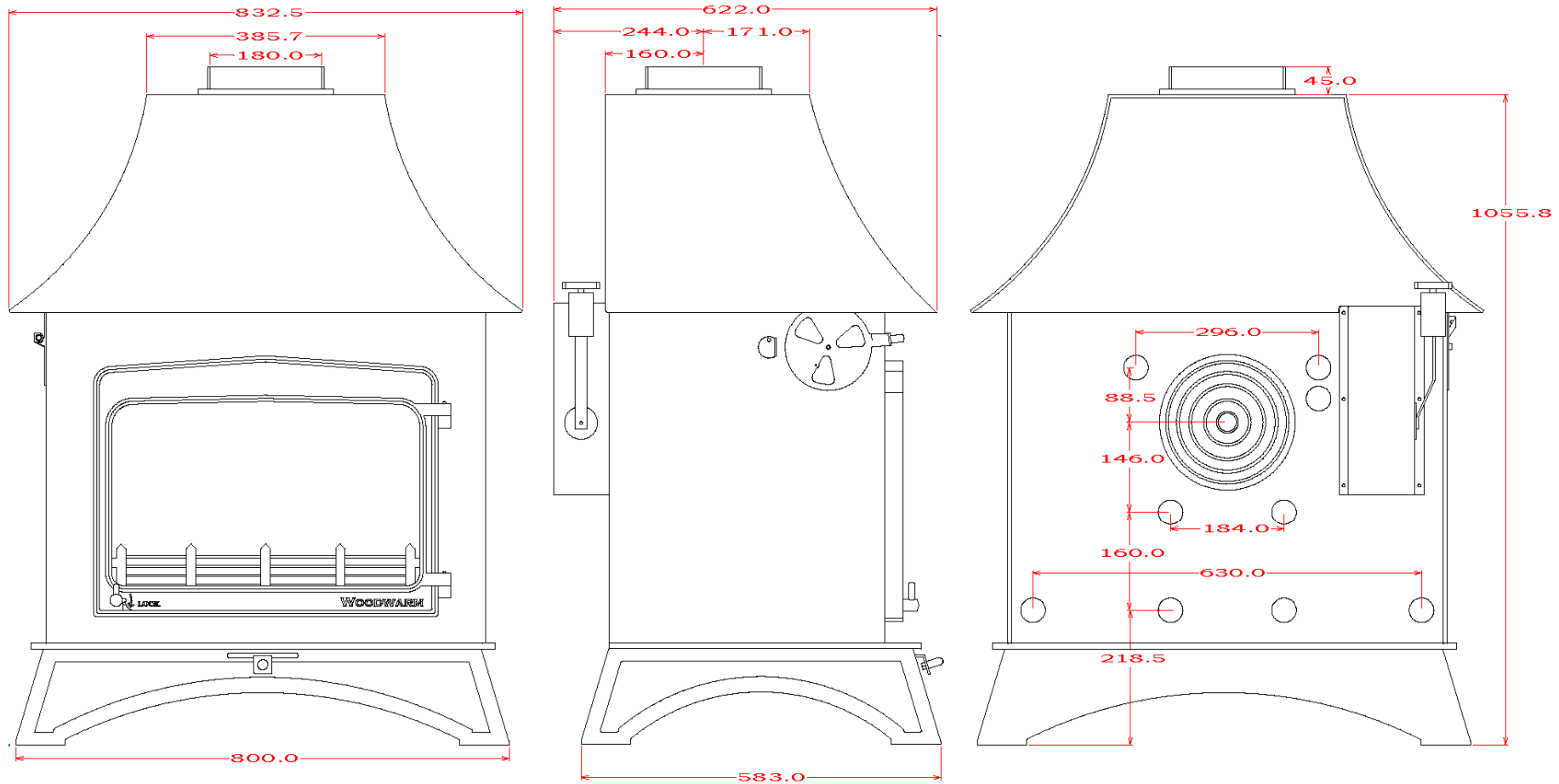


WOODWARM STOVES
 WildWood 20kw *Woodburner Only*
 Low Curve Canopy



Maximum Log Length:-635mm

Efficiency:-73.6% wood 69.3% Ancit

Boilers in Range:- 8,000 btu's (17.5Kw heat left to room) 20,000 btu's (13.9kw Heat left to room) 27,000 btu's (11.0kw Heat left to room)

Max Boiler Available with Roof Boiler:- 70,000 btu's (3.70kw Heat left to room)