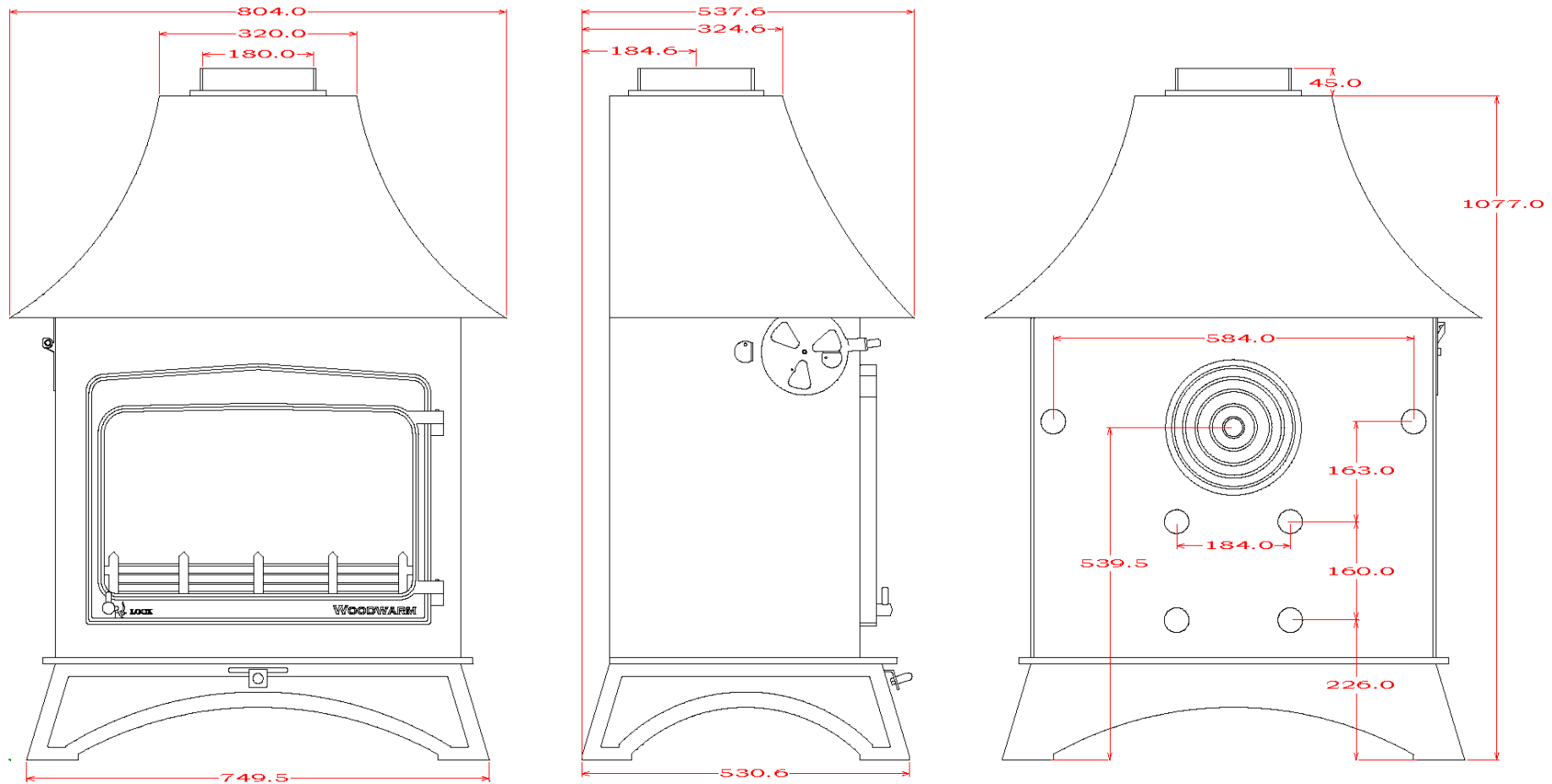


WOODWARM STOVES
 WildWood 16kw *Woodburner Only*
 Low curve Canopy



Maximum Log Length:-588mm

Efficiency:-TBC

Boilers in Range:-8,000 btu's (13.5kw Heat left to room) 20,000 btu's (11.5kw Heat left to room) 27,000 btu's (8.5kw Heat left to room) 42,000 btu's (6.8kw Heat left to room)

Max Boiler Available with Roof Boiler:- 54,000 btu's (3.3kw Heat left to room)