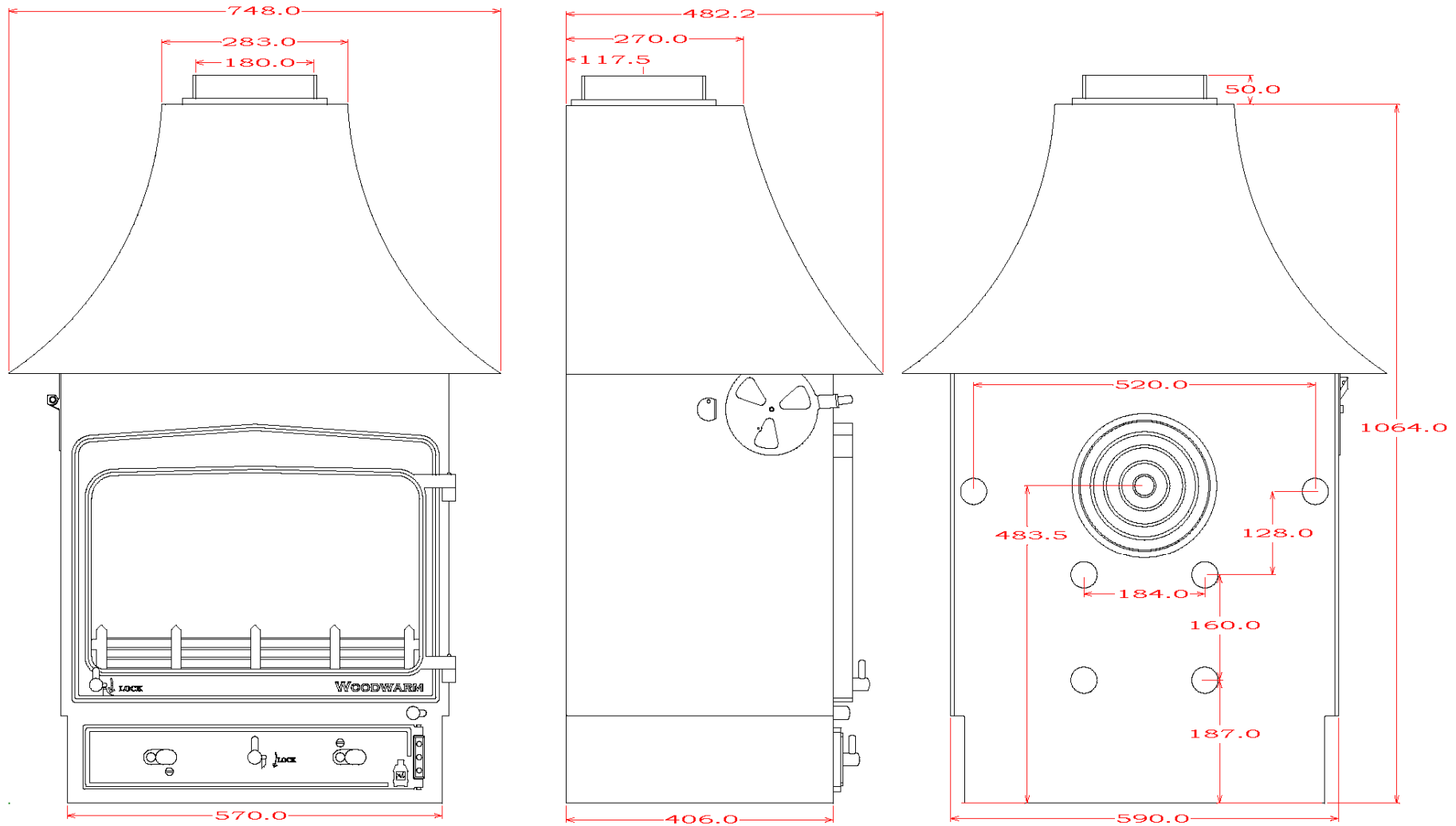


WOODWARM STOVES

Fireview 12kw-Plus *Multi Fuel*

High Curve Canopy



Maximum Log Length:- 483mm

Efficiency:- TBC

Boilers in Range:- 8,000 btu`s (10kw Heat left to room) 20,000 btu`s (7.2kw Heat left to room) 27,000 btu`s (6.5kw Heat left to room) 35,000 (5.8kw Heat left to room)

Max Boiler Available with Roof Boiler:- 45,000 btu`s (2.6kw Heat left to room)