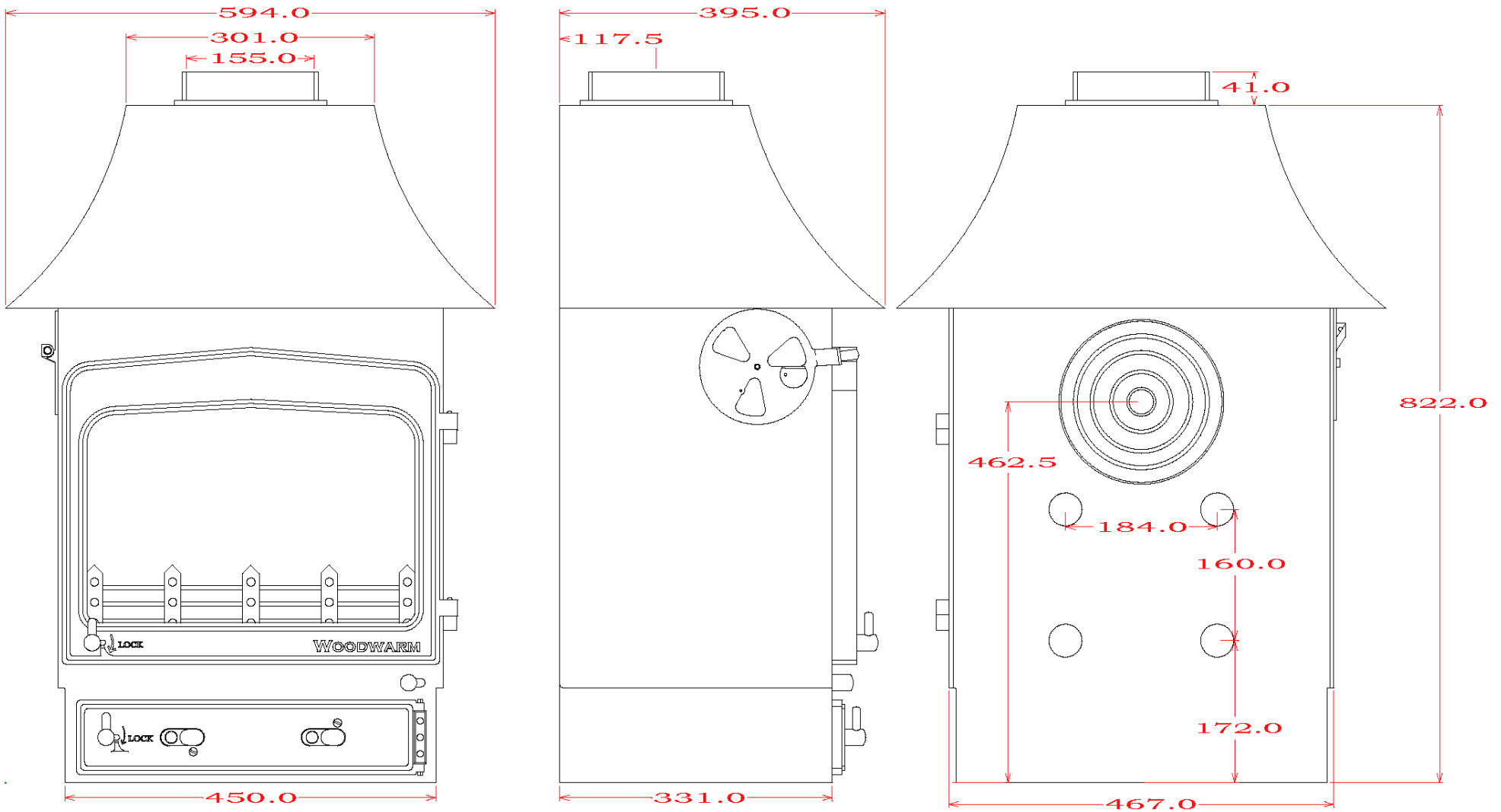


# WOODWARM STOVES

Fireview 6kw *Multi Fuel*

Low Curve Canopy



Maximum Log Length:- 368mm

Efficiency:- 79.9% Wood – 69.8% Ancit

Boilers in Range:- 8,000 btu's (4.5kw Heat left to room) 20,000 btu's (3.7kw Heat left to room) 27,000 btu's (3.1kw Heat left to room)

Max Boiler Available with Roof Boiler:- N/A